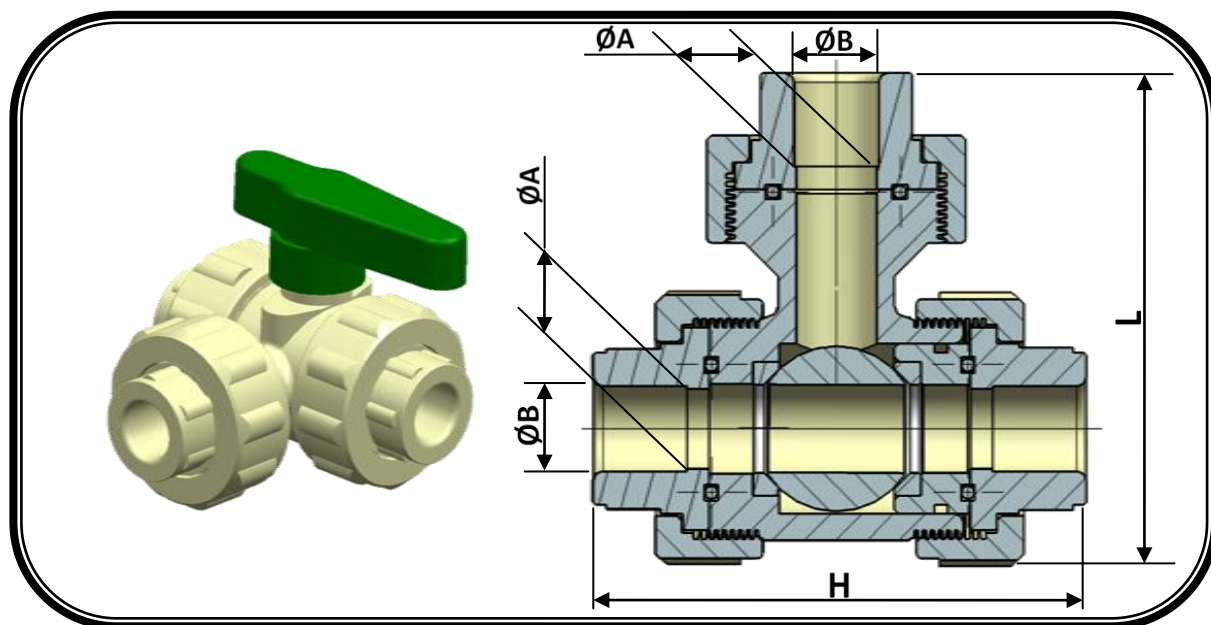




BUEU VÁLVULAS

DIMENSIONAL VÁLVULA DE ESFERA 3 VIAS



DIMENSIONAL VÁLVULA ESFERA TRÊS VIAS									
DN	B(rosca)	B(solda sch 40)	B(solda sch 80)	H.solda	H.rosca	H.flange	L	L.flange	A
1/2"	BSP 1/2"	PVC/PP/20mm	CPVC/21.3mm	109	109	166	115	144	20
3/4"	BSP 3/4"	PVC/PP/25mm	CPVC/26.7mm	109	109	166	115	144	20
1"	BSP 1"	PVC/PP/32mm	CPVC/33.4mm	122	122	194	125	161	25
1.1/4"	BSP 1.1/4"	PVC/PP/40mm	CPVC/42.2mm	153	153	223	180	215	40
1.1/2"	BSP 1.1/2"	PVC/PP/50mm	CPVC/48.3mm	153	153	223	180	215	40
2"	BSP 2"	PVC/PP/60mm	CPVC/60.3mm	174	174	265	223	269	50
2.1/2"	BSP 2.1/2"	PVC/PP/75mm	CPVC/73mm	215	215	305	270	315	63
3"	BSP 3"	PVC/PP/85mm	CPVC/88.9mm	215	215	305	270	315	76
4"	BSP 4"	PVC/PP/110mm	CPVC/114.3mm	247	247	356	320	374	100



BUEU VÁLVULAS

