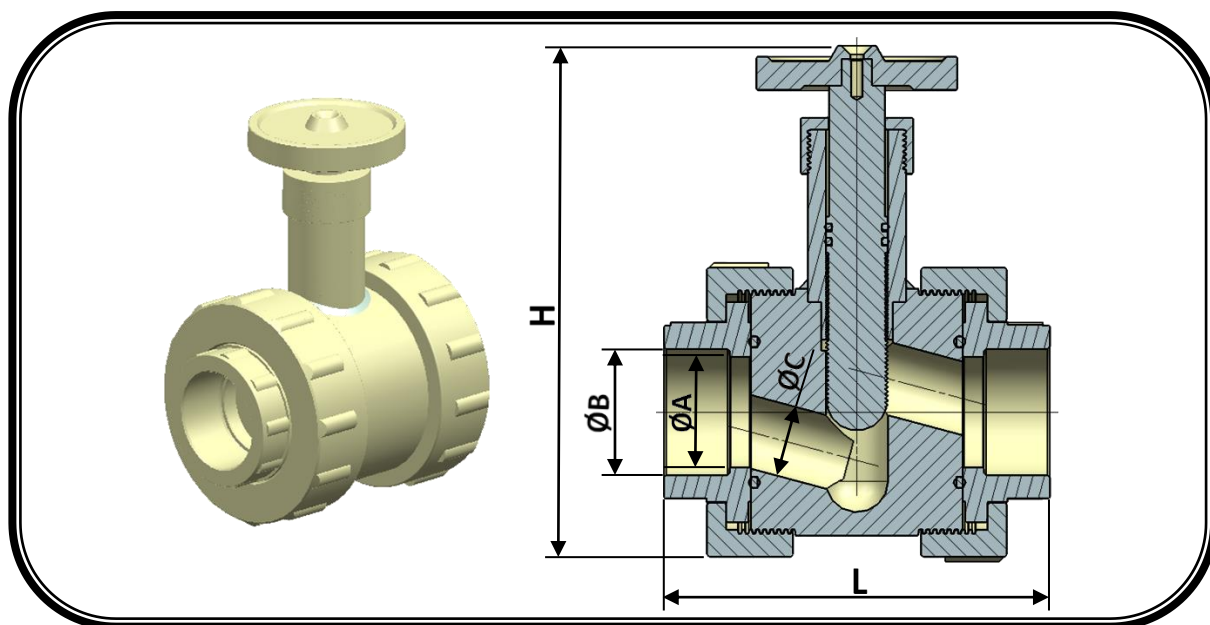




BUEU VÁLVULAS

DIMENSIONAL VÁLVULA GLOBO



DIMENSIONAL VALVULA GLOBO									
DN	B(rosca)	B(solda sch 40)	B(solda sch 80)	L.solda	L.rosca	L.flange	H(mm)	A(mm)	C(mm)
1/2"	BSP 1/2"	PVC/PP/20mm	CPVC/21.3mm	118	118	174	111	20	14
3/4"	BSP 3/4"	PVC/PP/25mm	CPVC/26.7mm	118	118	174	111	20	14
1"	BSP 1"	PVC/PP/32mm	CPVC/33.4mm	125	125	195	112	25	15
1.1/4"	BSP 1.1/4"	PVC/PP/40mm	CPVC/42.2mm	160	160	230	166	38	22
1.1/2"	BSP 1.1/2"	PVC/PP/50mm	CPVC/48.3mm	160	160	230	166	40	22
2"	BSP 2"	PVC/PP/60mm	CPVC/60.3mm	176	176	264	200	50	25
2.1/2"	BSP 2.1/2"	PVC/PP/75mm	CPVC/73mm	215	215	305	207	63	40
3"	BSP 3"	PVC/PP/85mm	CPVC/88.9mm	215	215	333	207	76	40
4"	BSP 4"	PVC/PP/110mm	CPVC/114.3mm	247	247	383	265	98	60

A BUEU VALVULAS SE RESERVA O DIREITO DE ALTERAR AS DIMENSÕES SEM AVISO PREVIO.



BUEU VÁLVULAS

