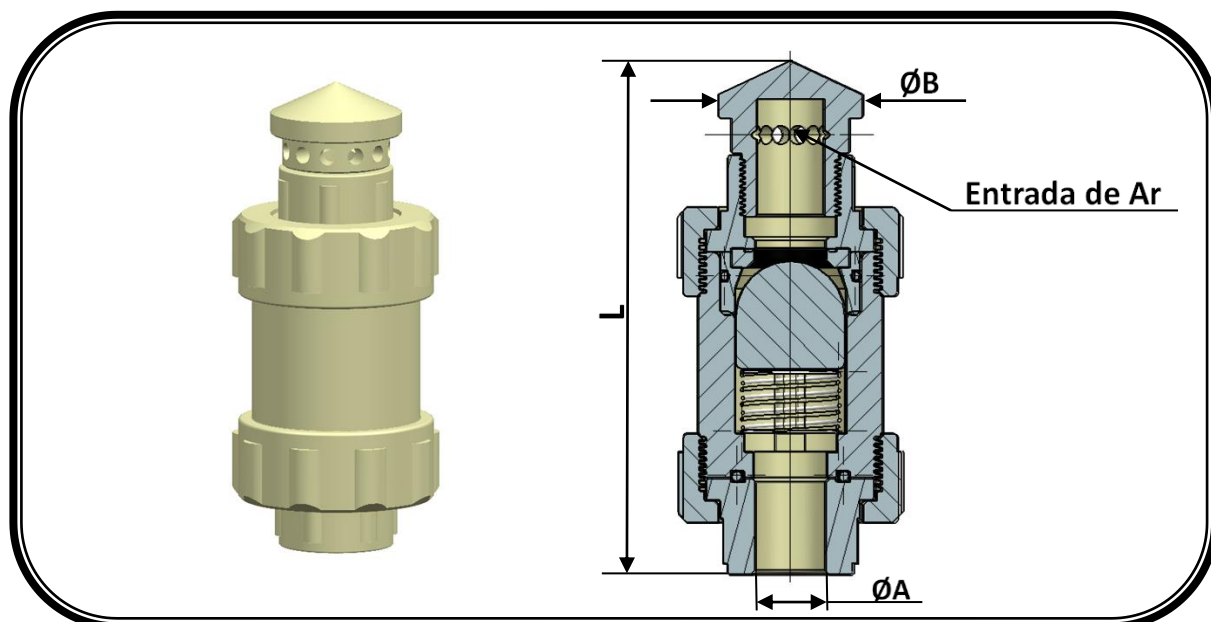




BUEU VÁLVULAS

DIMENSIONAL VÁLVULA QUEBRA VÁCUO



DIMENSIONAL VÁLVULA QUEBRA VACUO							
DN	A(rosca)	A(solda sch 40)	A(solda sch 80)	L.solda	L.rosca	L.flange	B(mm)
1/2"	BSP 1/2"	PVC/PP/20mm	CPVC/21.3mm	121	121	149	60
3/4"	BSP 3/4"	PVC/PP/25mm	CPVC/26.7mm	121	121	149	60
1"	BSP 1"	PVC/PP/32mm	CPVC/33.4mm	158	158	193	66
1.1/4"	BSP 1.1/4"	PVC/PP/40mm	CPVC/42.2mm	192	192	227	96
1.1/2"	BSP 1.1/2"	PVC/PP/50mm	CPVC/48.3mm	192	192	227	96
2"	BSP 2"	PVC/PP/60mm	CPVC/60.3mm	245	245	289	130
2.1/2"	BSP 2.1/2"	PVC/PP/75mm	CPVC/73mm	287	287	332	170
3"	BSP 3"	PVC/PP/85mm	CPVC/88.9mm	289	289	348	170
4"	BSP 4"	PVC/PP/110mm	CPVC/114.3mm	322	322	390	205

A BUEU VALVULAS SE RESERVA O DIREITO DE ALTERAR AS DIMENSÕES SEM AVISO PREVIO.



BUEU VÁLVULAS

