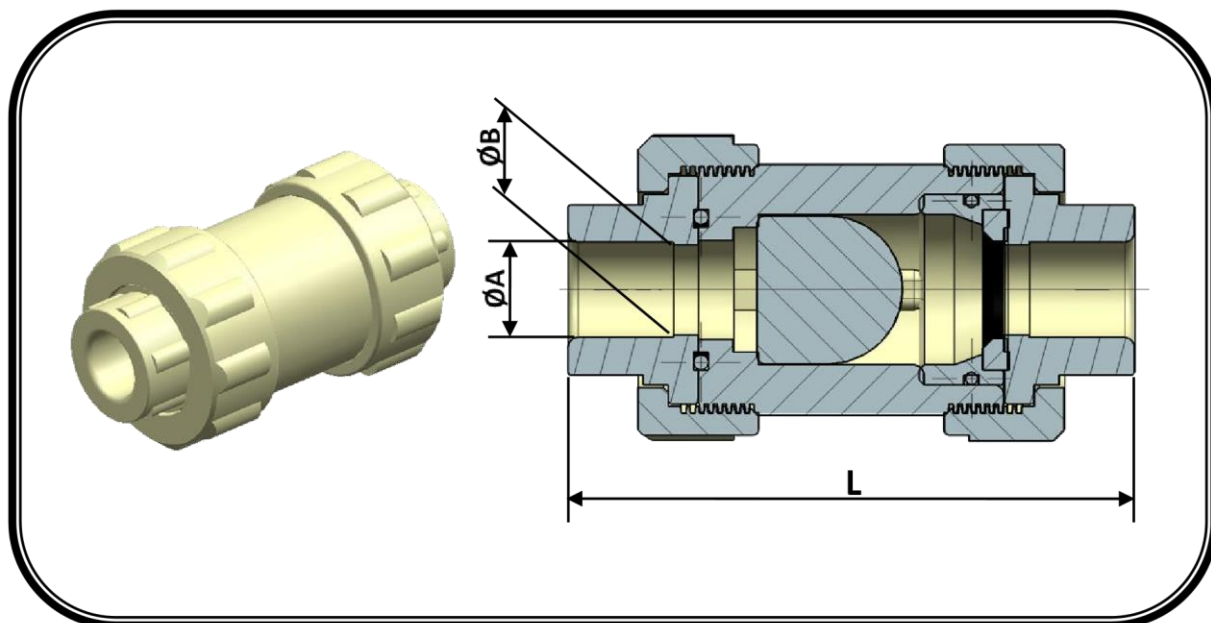




BUEU VÁLVULAS

DIMENSIONAL VÁLVULA DE RETENÇÃO VERTICAL



DIMENSIONAL VÁLVULA DE RETENÇÃO										
DN	A(rosca)	A(solda sch 40)	A(solda sch 80)	L.solda	L.rosca	L.flange	L.flange crivo	L.crivo	Ø PORCA	B(mm)
1/2"	BSP 1/2"	PVC/PP/20mm	CPVC/21.3mm	115	115	171	188	160	60	20
3/4"	BSP 3/4"	PVC/PP/25mm	CPVC/26.7mm	115	115	171	188	160	60	20
1"	BSP 1"	PVC/PP/32mm	CPVC/33.4mm	129	129	199	214	179	66	25
1.1/4"	BSP 1.1/4"	PVC/PP/40mm	CPVC/42.2mm	158	158	228	253	218	96	40
1.1/2"	BSP 1.1/2"	PVC/PP/50mm	CPVC/48.3mm	158	158	228	253	218	96	40
2"	BSP 2"	PVC/PP/60mm	CPVC/60.3mm	175	175	265	292	247	130	50
2.1/2"	BSP 2.1/2"	PVC/PP/75mm	CPVC/73mm	220	220	310	365	322	170	63
3"	BSP 3"	PVC/PP/85mm	CPVC/88.9mm	220	220	338	379	334	170	76
4"	BSP 4"	PVC/PP/110mm	CPVC/114.3mm	263	263	399	441	373	205	100
6"	BSP 6"	SOLDA /TOPO	SOLDA/TOPO	332	332	424	518	451	235	130

A BUEU VALVULAS SE RESERVA O DIREITO DE ALTERAR AS DIMENSÕES SEM AVISO PREVIO.

www.bueu.com.br

Telefones: +55 11-2307-5432

+55 11-2309-5432

+55 11-2308-5432



BUEU VÁLVULAS

