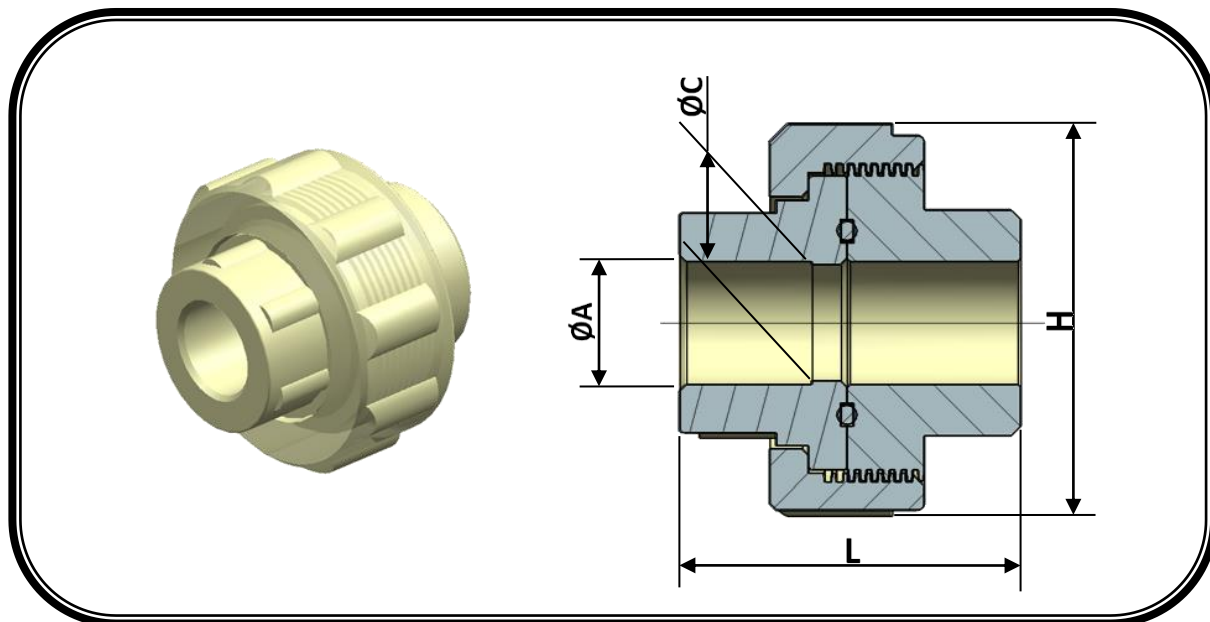




BUEU VÁLVULAS

DIMENSIONAL UNIÃO INDUSTRIAL



DIMENSIONAL UNIÃO INDUSTRIAL						
DN	A(rosca)	A(solda)	L.solda	L.rosca	H(mm)	C(mm)
1/2"	BSP 1/2"	PP/20mm	53	53	63	18
3/4"	BSP 3/4"	PP/25mm	53	53	63	20
1"	BSP 1"	PP/32mm	63	63	73	25
1.1/4"	BSP 1.1/4"	PP/40mm	82	82	100	38
1.1/2"	BSP 1.1/2"	PP/50mm	82	82	100	40
2"	BSP 2"	PP/60mm	82	82	130	50
2.1/2"	BSP 2.1/2"	PP/75mm	112	112	174	63
3"	BSP 3"	PP/85mm	114	114	174	76
4"	BSP 4"	PP/110mm	137	137	208	98

A BUEU VALVULAS SE RESERVA O DIREITO DE ALTERAR AS DIMENSÕES SEM AVISO PREVIO.



BUEU VÁLVULAS

