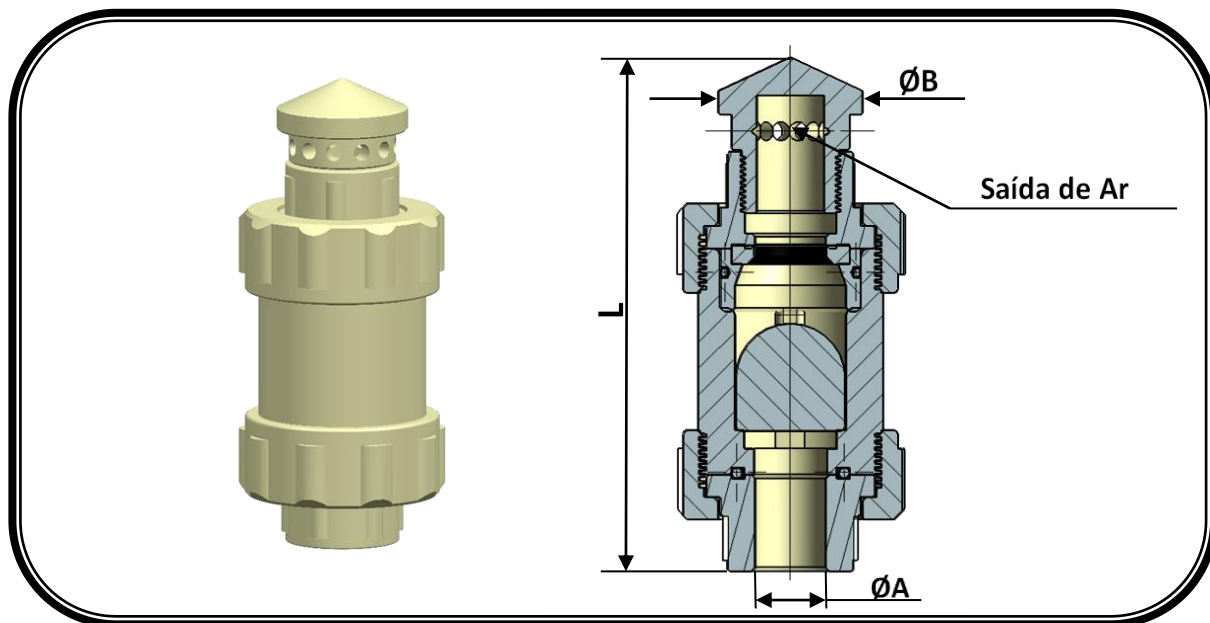




BUEU VÁLVULAS

DIMENSIONAL VÁLVULA VENTOSA



DIMENSIONAL VÁLVULA VENTOSA							
DN	A(rosca)	A(Cola sch 40)	A(Cola sch 80)	L.solda	L.rosca	L.flange	B(mm)
1/2"	BSP 1/2"	PVC/PP/20mm	CPVC/21.3mm	120	120	148	40
3/4"	BSP 3/4"	PVC/PP/25mm	CPVC/26.7mm	120	120	148	40
1"	BSP 1"	PVC/PP/32mm	CPVC/33.4mm	133	133	168	48
1.1/4"	BSP 1.1/4"	PVC/PP/40mm	CPVC/42.2mm	192	192	227	75
1.1/2"	BSP 1.1/2"	PVC/PP/50mm	CPVC/48.3mm	192	192	227	75
2"	BSP 2"	PVC/PP/60mm	CPVC/60.3mm	245	245	289	100
2.1/2"	BSP 2.1/2"	PVC/PP/75mm	CPVC/73mm	287	287	332	120
3"	BSP 3"	PVC/PP/85mm	CPVC/88.9mm	289	289	348	120
4"	BSP 4"	PVC/PP/110mm	CPVC/114.3mm	322	322	390	150

A BUEU VALVULAS SE RESERVA O DIREITO DE ALTERAR AS DIMENSÕES SEM AVISO PREVIO.

www.bueu.com.br

Telefones: +55 11-2307-5432

+55 11-2309-5432

+55 11-2308-5432



BUEU VÁLVULAS

