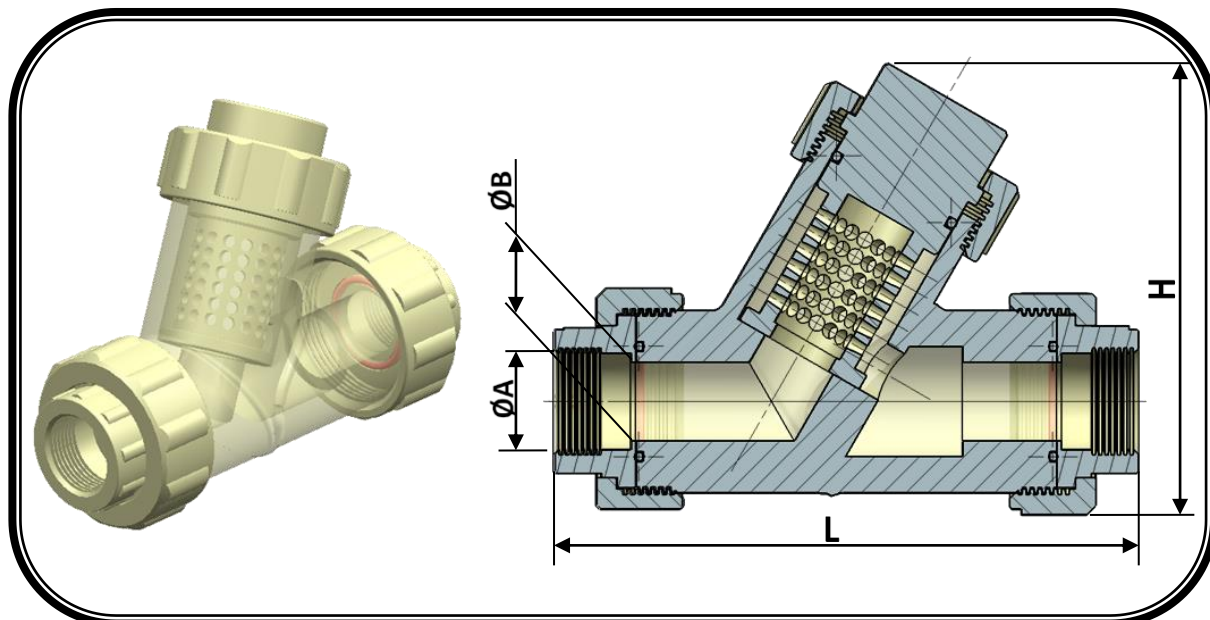




BUEU VÁLVULAS

DIMENSIONAL FILTRO Y



DIMENSIONAL FILTRO Y								
DN	A(rosca)	A(solda sch 40)	A(solda sch 80)	L.solda	L.rosca	L.flange	H(mm)	B(mm)
1/2"	BSP 1/2"	PVC/PP/20mm	CPVC/21.3mm	170	170	227	125	18
3/4"	BSP 3/4"	PVC/PP/25mm	CPVC/26.7mm	170	170	227	125	20
1"	BSP 1"	PVC/PP/32mm	CPVC/33.4mm	198	198	268	150	25
1.1/4"	BSP 1.1/4"	PVC/PP/40mm	CPVC/42.2mm	257	257	327	217	38
1.1/2"	BSP 1.1/2"	PVC/PP/50mm	CPVC/48.3mm	257	257	327	217	40
2"	BSP 2"	PVC/PP/60mm	CPVC/60.3mm	300	300	390	245	50
2.1/2"	BSP 2.1/2"	X	X	310	310	400	245	63
3"	BSP 3"	X	X	310	310	428	291	76
4"	BSP 4"	X	X	340	340	476	350	100
6"	BSP 6"	X	X	X	X	475	465	140

A BUEU VALVULAS SE RESERVA O DIREITO DE ALTERAR AS DIMENSÕES SEM AVISO PREVIO.

www.bueu.com.br

Telefones: +55 11-2307-5432

+55 11-2309-5432

+55 11-2308-5432



BUEU VÁLVULAS

